

Product Guide**C 0886** 130mm (5") 100V 6W Twin Cone Surface Mount Speaker

C 0886 Vandal Resistant Surface Mount Speaker

- ✓ Vandal resistant enclosure.
- ✓ Dual loop in, loop out cable entries.
- ✓ Steel front panel with diecast enclosure.
- ✓ Fitted with supervisory capacitor for line monitoring.
- ✓ Tamper resistant fasteners.
- ✓ High quality speaker driver developed for BGM, paging and emergency warning applications.
- ✓ Fitted with 4 way wire protect terminal block for loop in, loop out wiring as required by Australian Standards.
- ✓ Neutral RAL9016 powdercoated finish.



Application

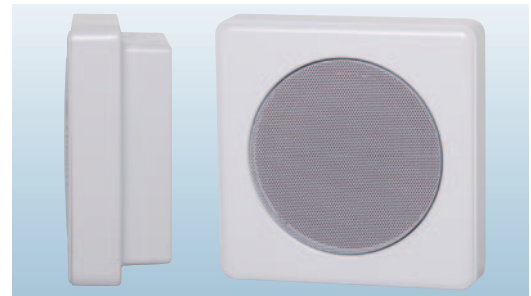
Designed to withstand the physical abuse of vandals, this speaker is ideal for installation in prisons, train stations, bus stations, pedestrian malls, etc.

About Redback® Speaker Drivers

Each custom designed speaker and transformer combination has been specifically engineered to ensure a wide frequency range and dispersion angle, plus a high sound pressure level (SPL) ensuring excellent music and speech intelligibility; which is critical for emergency paging applications.

Each transformer is fitted with multiple power tapings which are selected via the tabs on the internal transformer.

Installation Guidelines



Access to the 130mm twin cone speaker driver and transformer settings requires the use of an allen bit. This tamper resistant measure enhances the integrity of the steel enclosure.

The neutral white RAL colour of C 0886 provides an architecturally unobtrusive finish to virtually any installation.

To facilitate loop in, loop out cabling the enclosure is fitted with two 20mm knockouts for cable glands. While the transformer is fitted with a 4 way wire protect screw terminal block.

Testing

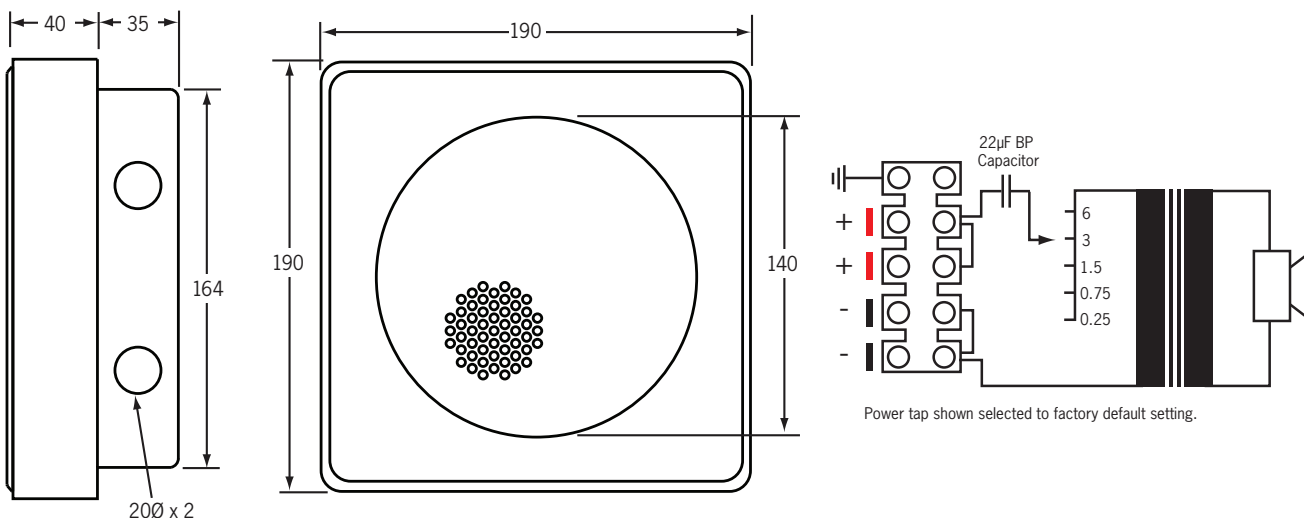
Redback® drivers are engineered and manufactured to stringent specifications ensuring maximum reliability under all operating conditions. Each driver has a power rating well above the max tapping of the transformer, ensuring reliable operation and excellent longevity. A strict quality control procedure is employed during every step of the manufacturing process. Finally, every finished speaker is 100% QC checked prior to shipping.

Product Guide

C 0886 130mm (5") 100V 6W Twin Cone Surface Mount Speaker



Dimensions & Transformer Detail



Specifications

Electrical

Power taps:	0.25, 0.75, 1.5, 3, 6W
SPL 1W @ 1m:	93dB @ 1kHz (+/- 2dB)
SPL Max:	99dB @ Full power octave bandwidth
Frequency response:	180Hz - 18kHz
Dispersion (1kHz/2kHz):	170° / 120°
Directivity Q Factor (1kHz):	4.2
Connection:	4 way terminal block + 22µF bipolar capacitor

Mechanical

Grille material:	Steel mesh grille
Outer construction:	Steel front, die cast aluminium backbox
Driver construction:	Polypropylene woofer, mylar dome tweeter
Overall weight:	1.8kg
Colour:	White powdercoat (RAL 9016)

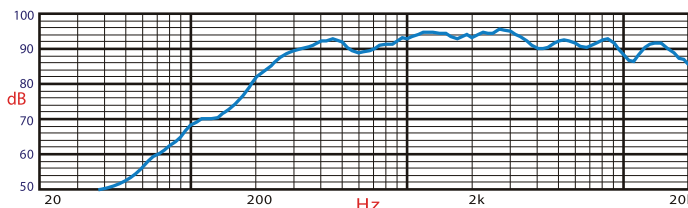
Environmental

Operating temperature:	-15°C to +60°C
------------------------	----------------

Architect Specifications

The wall mount speaker shall have a twin cone 130mm speaker driver which shall operate at 100V and have power taps of 6W, 3W, 1.5W, 0.75W and 0.25W. The speaker body shall be made of cast alloy metal and shall be secured with tamper proof allen key head screws. The speaker body shall be vandal resistant. The speaker grill will be perforated metal. The wall mount speaker shall be a Redback model C 0886.

Frequency Response (SPL 1W @ 1m)



Polar Plot

