

Product Guide**C 0907** 2-Way 100mm (4") 30W 100V Wall Speakers White**C 0908** 2-Way 100mm (4") 30W 100V Wall Speakers Black

30W 100V IP54 Weather Resistant Wall Speakers

- ✓ Ideal for music sound reinforcement.
- ✓ Weather resistant.
- ✓ High impact UV stabilised 'Luran S' thermoplastic.
- ✓ Available in black or white.
- ✓ Engineer designed in Australia.
- ✓ Ported and tuned enclosure for enhanced bass response.
- ✓ Includes polyswitch overload protection.
- ✓ Includes Wacki bracket for easy mounting.
- ✓ Assembled in Australia.
- ✓ 5 year warranty.

**Overview**

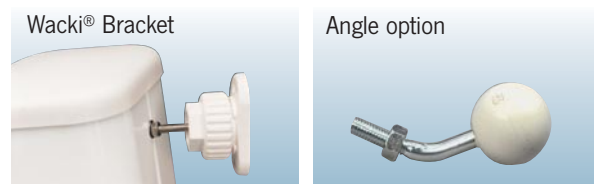
Redback® sound monitors are constructed from super tough UV stabilised 'Luran-S' thermoplastic. They feature a two way, bass reflex speaker system with a 100mm bass/midrange driver and a polyamide dome tweeter with a custom designed crossover network. They produce a punchy, powerful sound making them the perfect choice for BGM/paging applications. Included is the revolutionary Wacki bracket mounting system, allowing a wide variation in mounting angles.

Supplied with multi-core cable connected to the various power taps of the transformer. Simply connect between common and the required power tap.

For low impedance use, these monitors are also available in 8 ohm versions if required.

Applications

- Home stereo extension speakers for pool, patio etc.
- Taverns, hotels, shopping centres, schools, halls, fairgrounds.
- Any external music and paging application.

Mounting Options

Each model includes the unique Wacki® bracket. This makes installation a breeze with 50° adjustability via the ball-joint design. Locking screw collar ensures the speaker will never droop over time.

For corner mounting an angle option may be employed offering an additional 35° of adjustment.

About Redback® Speaker Drivers

Each custom designed speaker and transformer combination has been specifically engineered to ensure a wide frequency range and dispersion angle, plus a high sound pressure level (SPL) ensuring excellent music and speech intelligibility.

Redback® drivers exhibit optimum frequency response and efficiency for BGM and paging applications. The transformers are wound on professional grade grain oriented steel cores for high efficiency and extended frequency response.

Each transformer is fitted with multiple power tapings which are selected via multicore cable.

Testing

Redback® drivers are subject to strenuous factory testing reducing the risk of unit failure or performance reduction over time. Each driver has a power rating well above the max tapping of the transformer, ensuring reliable operation and excellent longevity.

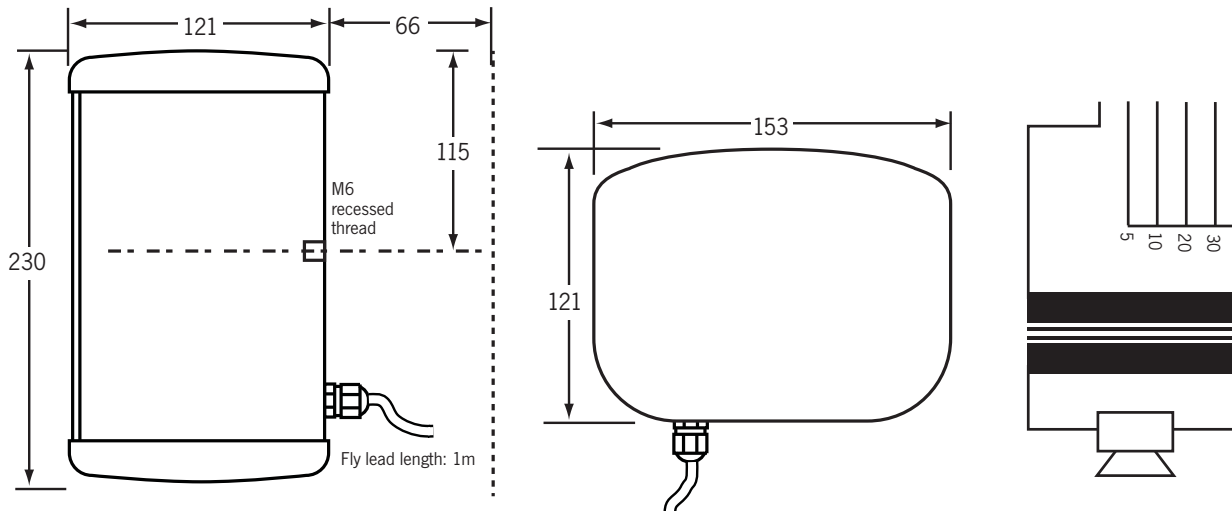
Product Guide

C 0907 2-Way 100mm (4") 30W 100V Wall Speakers White

C 0908 2-Way 100mm (4") 30W 100V Wall Speakers Black



Dimensions & Transformer Detail



Specifications

Electrical

100V Power taps:	5, 10, 20, 30W
SPL 1W @ 1m:	91dB @ 1kHz (+/- 2dB)
Frequency response:	90Hz-18kHz
Connection:	Multi-core cable

Mechanical

Grille material:	Plastic mesh
Driver construction:	Paper cone with water resistant coating
Mounting depth (from wall surface - with Wacki® bracket):	187mm
Overall weight:	≈2kg
Overall dimensions:	≈230H x 153W x 121D mm

Environmental

Operating temperature:	-10°C to +45°C
Relative humidity:	< 95%

Architect Specifications

C 0907

The sound monitor shall consist of a weather resistant UV stabilized white thermoplastic enclosure incorporating a 100mm bass / midrange driver and polyimide dome tweeter with crossover network. It shall be fitted with a 100V transformer with power taps of 30W, 20W, 10W and 5W. It shall have a frequency response of 90Hz to 18 kHz and SPL of 91dB. It shall include polyswitch overload protection. The housing shall have a "Wacki Bracket" mounting system. The sound monitor shall be a REDBACK model C 0907.

C 0908

The sound monitor shall consist of a weather resistant UV stabilized black thermoplastic enclosure incorporating a 100mm bass / midrange driver and polyimide dome tweeter with crossover network. It shall be fitted with a 100V transformer with power taps of 30W, 20W, 10W and 5W. It shall have a frequency response of 90Hz to 18 kHz and SPL of 91dB. It shall include polyswitch overload protection. The housing shall have a "Wacki Bracket" mounting system. The sound monitor shall be a REDBACK model C 0908.