

Product Guide

C 2047 30W 100V Line IP67 Rated Low Temperature ABS Horn Speaker



C 2047 30W Weatherproof Low Temperature Horn Speaker

- ✓ UV stabilised ABS construction
- ✓ Stainless steel mounting hardware
- ✓ High power output for increased SPL
- ✓ Rust-free stainless steel bracket
- ✓ Wide operating temperature range
- ✓ Ideal for cool rooms, marine and tropical environments
- ✓ Suitable for installation in exposed outdoor areas
- ✓ Six core cable connection
- ✓ Rated to IEC529 IP67 for dust and water protection
- ✓ Fitted with line monitoring capacitor



Application

Specifically designed for applications with a high level of dust or moisture in the operating environment. Made from tough UV stabilised ABS, this speaker includes stainless steel exterior metal hardware. Featuring an operating temperature range of -30°C to +60°C, it may be used in schools, train and bus stations, airports, car parks and cool rooms. Fitted with 22uf bipolar capacitor for line monitoring applications.

About Redback® Speaker Drivers

Each horn speaker has been specifically engineered to ensure a wide frequency range and dispersion angle, plus a high sound pressure level (SPL) ensuring excellent music and speech intelligibility; which is highly desirable.

Redback® drivers exhibit optimum frequency response and efficiency for BGM & paging applications.

Redback® drivers are subject to strenuous factory testing reducing the risk of unit failure or performance reduction over time.

Installation Guidelines

The C 2047 is a 100V line horn speaker designed for direct connection to a commercial amplifier with 100V output. It is fitted with a 300mm 6 core cable. Each coloured cable core is connected to a power tap on the transformer. Selection is made by connecting between common and the required power tap cores.

The speaker is supplied with a stainless steel bracket and fixings ensuring rust-free performance even in harsh environments.

The neutral white RAL colour of C 2047 provides an architecturally unobtrusive finish to virtually any installation.

Specifications

Electrical

Rated power:	30 Watts
Power taps:	3.75, 7.5, 15 & 30W
Transformer impedance:	167Ω, 333Ω, 667Ω, 1.33kΩ
SPL 1W @ 1m:	106dB
SPL @ Full power:	121dB
Frequency range (-10dB):	500Hz-7kHz
Frequency range (-20dB):	430Hz-16kHz
Dispersion at 1kHz/4kHz:	240°/45°

Mechanical

Dimensions:	Ø130 x 175mm
Net weight:	1.7kg
Colour:	White RAL9016
Material:	ABS plastic housing with UV inhibitors
Mounting:	Stainless steel U bracket
Connection:	6 core cable

Environmental

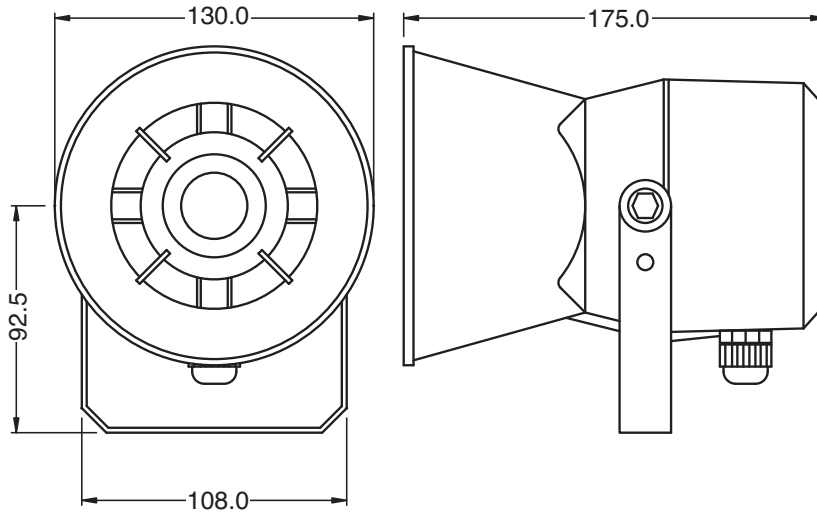
Ambient temperature:	-30°C to +60°C
Ingress protection:	IEC529 IP67

Product Guide

C 2047 30W 100V Line IP67 Rated Low Temperature ABS Horn Speaker



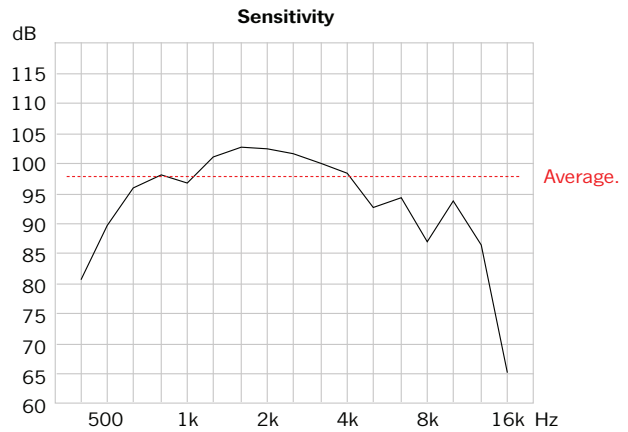
Dimensions



Architect Specifications

The unit shall be Redback model C 2047. The horn enclosure shall be constructed of high impact ABS with UV inhibitors and gaskets to prevent the ingress of water or dust and be rated to a minimum of IP67. The unit will be mounted via a stainless steel "U" bracket and fixings. The speaker shall be housed in a flared chamber, 175mm long x 130mm diameter. A 30 watt 100 volt line transformer shall provide four power taps. The speaker shall operate down to -30°C and up to +60°C. The speaker shall be fitted with a 6 core cable enabling power tap selection.

Frequency Response



Polar Plot

