

**Product Guide****C 2083** 12W 100V/8Ω Line IP67 Rated ABS Marine Horn Speaker**C 2083** 12W 100V/8Ω Line Weatherproof Horn Speaker

- ✓ IP67 dust & moisture rated
- ✓ UV stabilised
- ✓ -50°C to 100°C for harsh environments
- ✓ 8 Ohm or 100V tapings via 6 core cable
- ✓ Recessed or ceiling mount option
- ✓ Stainless steel corrosion proof hardware
- ✓ Corrosion, chemical & fire resistant
- ✓ Excellent for both marine and industrial environments

**Application**

The C 2083 is engineered specifically for use in extremely harsh industrial and marine applications.

The UV stabilised IP67 rated enclosure is impervious to corrosion and chemicals. All fixing hardware is stainless steel preventing rust and corrosion.

Power selection for both 100V and 8Ω taps is via multicore cable.

The compact robust design is suitable for use on drilling rigs, ships, industrial sites, mining sites and other marine applications. The low operating temperature, down to -50°C, also makes them suitable for use in cold rooms and freezers.

Removing the mounting bracket enables the horn to be flush ceiling mounted for a discrete installation.

The C 2083 offers high performance in terms of SPL and frequency response ensuring crystal clear speech intelligibility and is suited to general PA or emergency evacuation systems.

**About Redback® Speaker Drivers**

Each horn speaker has been specifically engineered to ensure a wide frequency range and dispersion angle, plus a high sound pressure level (SPL) ensuring excellent music and speech intelligibility; which is highly desirable.

Redback® drivers exhibit optimum frequency response and efficiency for BGM & paging applications.

Redback® drivers are subject to strenuous factory testing reducing the risk of unit failure or performance reduction over time.

**Installation Guidelines**

The C 2083 is a 100V line horn speaker designed for direct connection to a commercial amplifier with 100V output. It is fitted with a 7 core cable for power tap selection and loop through connection.

Supplied with stainless steel mounting hardware.

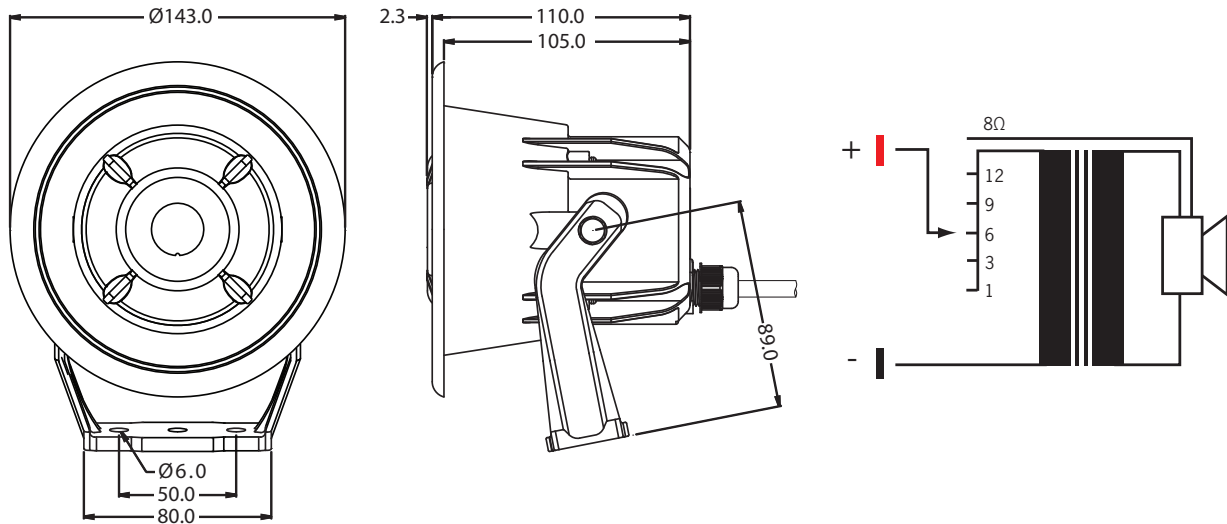
The neutral grey RAL colour of C 2083 provides an architecturally unobtrusive finish to virtually any installation.

## Product Guide

**C 2083** 12W 100V/8Ω Line IP67 Rated ABS Marine Horn Speaker



### Dimensions & Transformer Detail



### Specifications

#### Electrical

Power taps:	1, 3, 6, 9, 12W & 8Ω
Frequency response:	600Hz - 11KHz
Dispersion angle:	185° @ 1KHz
SPL 1W @ 1m:	102dB
Max SPL (Full power @ 1m):	112dB
Dispersion 1KHz/4KHz:	185° / 45°
Power tap selection:	7-core cable

#### Mechanical

Driver construction:	Aluminium voice coil former
Dimensions (mm):	143Ø x 110D
Weight:	1.05kg
Material:	Nylon+Fiber with UL94V-0 & UV protection
Colour:	Light Grey

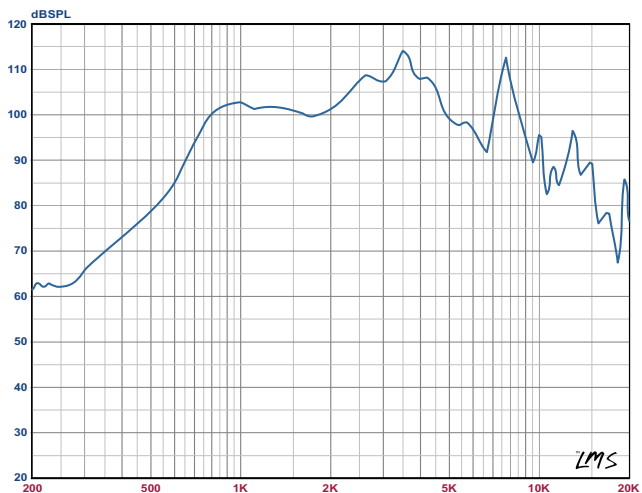
#### Environmental

Operating temperature:	-50°C to +100°C
Relative humidity:	< 95%

### Architectural Specifications

The horn speaker shall be a Redback C 2083. It shall be fitted with 100V line transformer with 8 ohm bypass setting and power taps at 1, 3, 6, 9 and 12 Watts. The transformer shall be fitted with 22μF capacitor for line monitoring purposes. The horn speaker housing shall be rated to IP67. The driver shall produce a frequency response of 600Hz to 11KHz. It shall be fitted with stainless steel mounting hardware. Power tap selection shall be via multicore cable. The speaker shall be rated for operation in a temperature range of -50°C to 100°C. The speaker shall be able to be mounted flush with the ceiling surface or wall mounted on the included bracket.

### Frequency Response (SPL 1W @ 1m)



### Polar Plot (Ratio vs Angle)

