

Product Guide

C 2107 100mm (4") 100V High Power 10W Twin Cone Driver



C 2107 Twin Cone High Power Public Address EWIS Driver

- ✓ High power 10W output for increased SPL
- ✓ Excellent speech intelligibility
- ✓ High quality speaker driver developed for BGM, paging and emergency warning applications
- ✓ Fitted with 4 way wire protect terminal block for loop in, loop out wiring as required by Australian Standards.
- ✓ Fitted with cable restraint plate and transformer safety cover as required by Australian Standards.
- ✓ Fitted with supervisory capacitor for line monitoring.
- ✓ 5 year warranty.



Application

The C 2107 is a high power PA speaker designed for EWIS (fire & evacuation) installations where high SPL is required.

Emergency Warning & Intercommunications Systems (EWIS)

This speaker is designed for use in installations designed to deliver both verbal and tone announcements to occupants for evacuation and alarm conditions.

It is fitted with cable restraint plate, line monitoring capacitor and 4 way wire protect terminal connection.

Testing

Redback® drivers are subject to strenuous factory testing reducing the risk of unit failure or performance reduction over time. Each driver has a power rating well above the max tapping of the transformer, ensuring reliable operation and excellent longevity.

About Redback® Speaker Drivers

Each custom designed speaker and transformer combination has been specifically engineered to ensure a wide frequency range and dispersion angle, plus a high sound pressure level (SPL) ensuring excellent music and speech intelligibility; which is highly desirable for emergency paging applications.

Redback® drivers exhibit optimum frequency response and efficiency for BGM, paging and EWIS applications. The transformers are wound on professional grade grain oriented steel cores for high efficiency and extended frequency response.

Each transformer is fitted with multiple power tapings which are selected via a tab on the top of the transformer.

Installation Guidelines

The C 2107 is fitted with a 4 way wire protect screw terminal block. This is suitable for loop in, loop out cabling. The cable can be secured to the in-built restraint plate with 100mm cable ties.

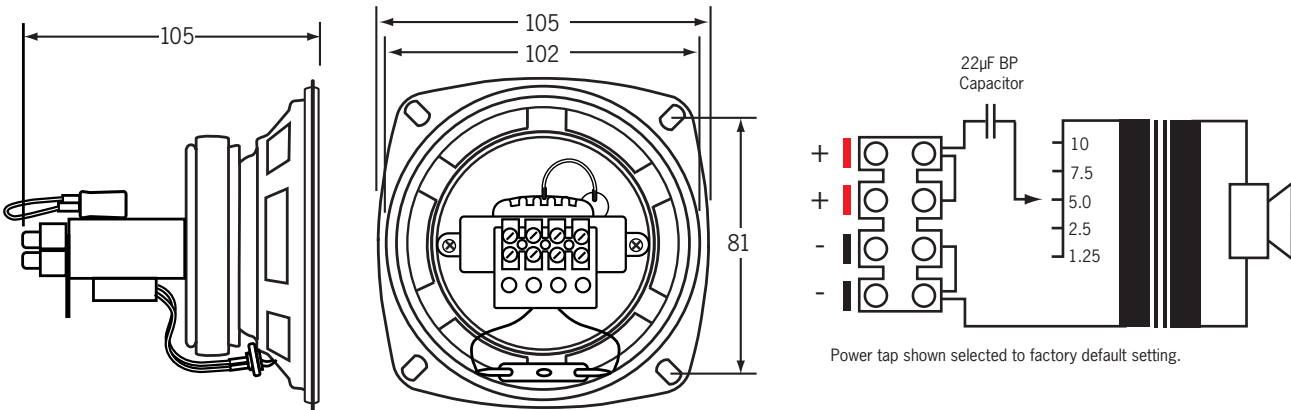
To attach the driver to a speaker grille use C 0835 grille fixing clips. For installation in gypsum or plasterboard ceilings use C 0825 Gypsee® screws. See "additional installation accessories" over the page.

Product Guide

C 2107 100mm (4") 100V High Power 10W Twin Cone Driver



Dimensions & Transformer Detail



Specifications

Electrical

Power taps:	1.25, 2.5, 5, 7.5, 10W
SPL 1W @ 1m:	94dB @ 1kHz (+/- 2dB)
Frequency response:	100Hz-15kHz
Connection:	4 way terminal block + 22uF bipolar capacitor

Mechanical

Driver construction:	Paper twin cone
Ceiling cutout:	102mm
Mounting depth:	105mm
Overall weight:	879g

Environmental

Operating temperature:	-25°C to +55°C
Relative humidity:	< 95%

Additional Installation Accessories

- C 0810** 100mm (4") white ceiling grille
- C 0815** 100mm (4") white slimline ceiling grille
- C 0816** 100mm (4") black slimline ceiling grille
- C 0835** Pk100 speaker grille fixing clips
- C 0825** Pk100 Gypsee® gypsum/plasterboard screws

Architect Specifications

The speaker shall be of 100mm diameter and be fitted with a 100V transformer with power taps of 10W, 7.5W, 5W, 2.5W and 1.25W. It shall have a SPL of 94dB. The transformer shall have a cable restraint mechanism (conforming to the relevant Australian Standard). It shall be fitted with a 4 way wire protect terminal block for cable connection and 22uF bipolar capacitor for line monitoring. The speaker shall be a Redback model C 2107.