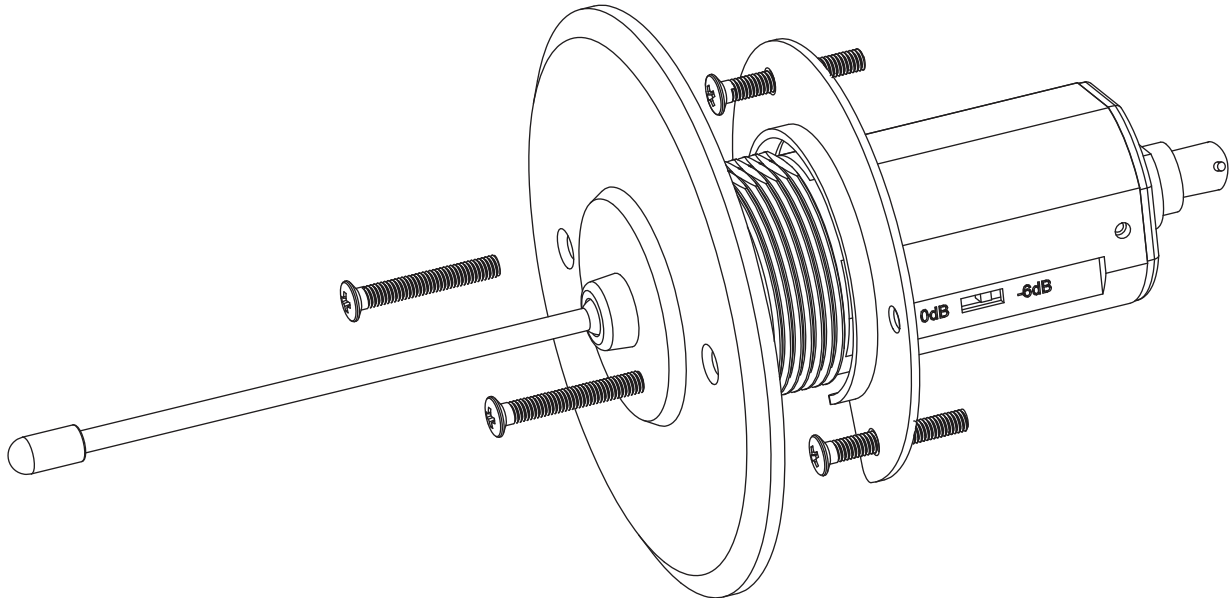




C 8841A Ceiling Mounted Antenna Booster with BNC socket



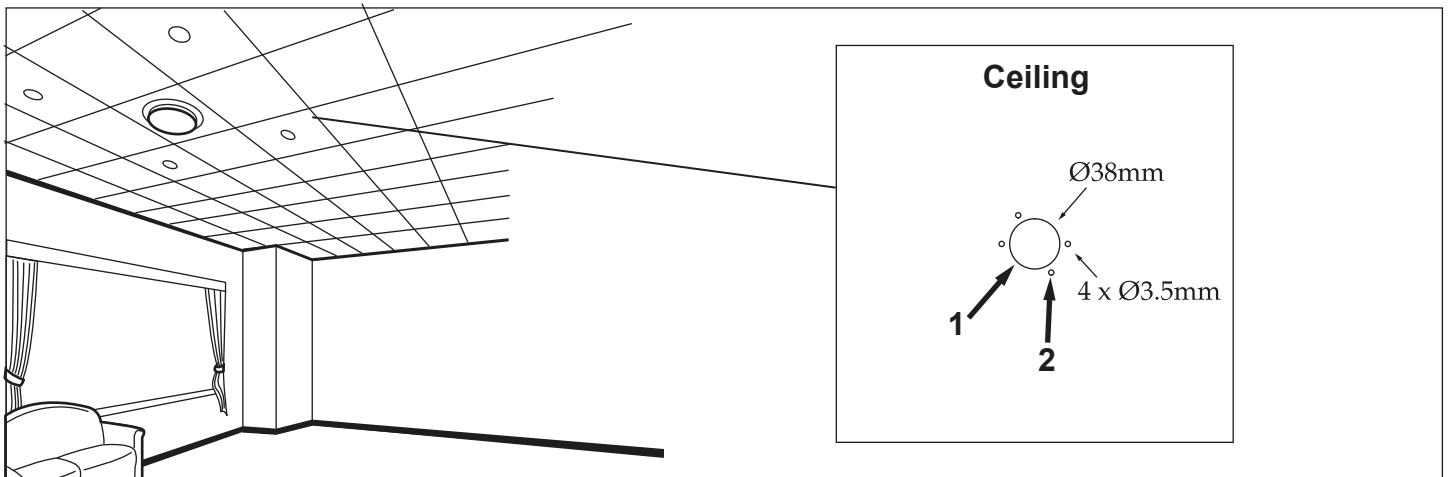
SPECIFICATIONS

Gain:	9dB @ 800MHz
Antenna Impedance:	50Ω
Max. Ceiling Thickness:	15mm
Mounting Hole Ø:	38mm
Connector	BNC
Input Voltage:	8V d.c. 80mA (via coaxial cable).

INSTALLATION INSTRUCTIONS

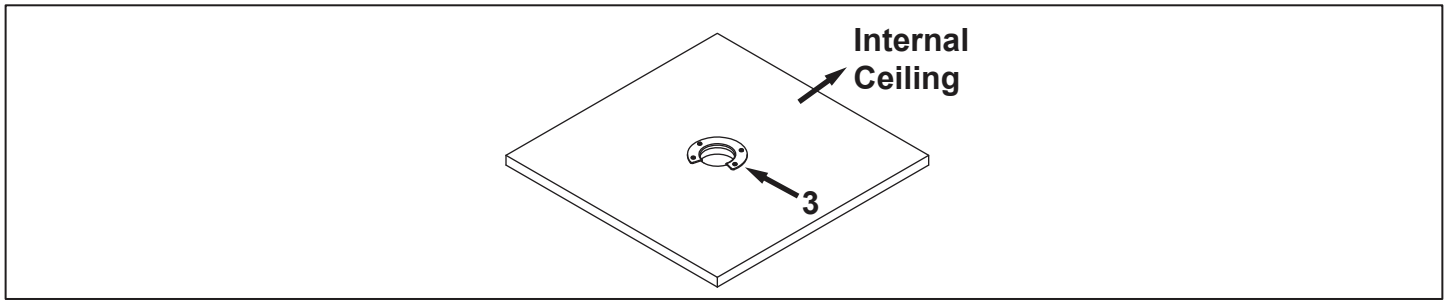
For fixing directly to a ceiling please follow the steps below. For inaccessible ceiling spaces we suggest that you mount direct to a suitable wallplate, then fix this to the ceiling.

1. Drill a hole Ø38mm on the Ceiling.
2. Use the fixing base/ ring as a template, then drill 4 x Ø3.5mm holes.

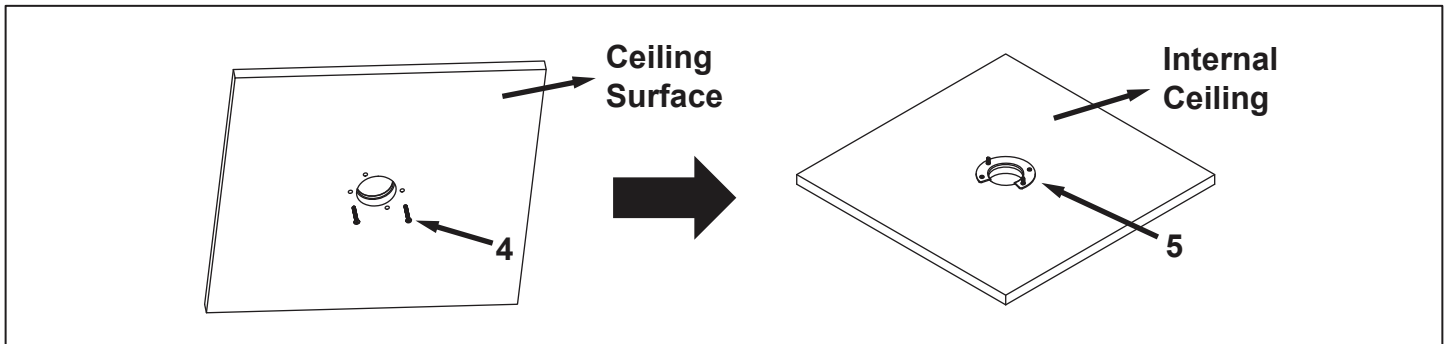


C 8841A Ceiling Mounted Antenna Booster

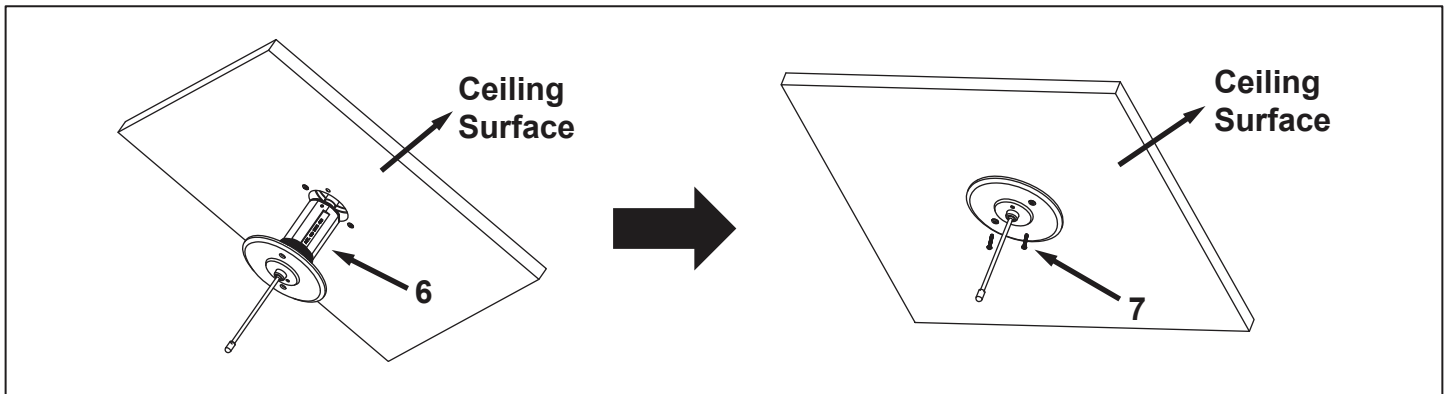
3. Install the antenna fixing base to the Ceiling.



4. Tighten the 2 fixing base ring screws.



5. Connect field cabling BNC via low loss 50Ω coaxial cable (suggest RG213 Cat No. W 4920). Install the Antenna Booster.



6. Tighten the antenna mounting screws.

