

Product Guide**C 0912** 2-Way 133mm (5.25") 45W 100V/8 Ohm Wall Speakers White (pair)**C 0913** 2-Way 133mm (5.25") 45W 100V/8 Ohm Wall Speakers Black (pair)

45W 100V/8 Ohm Wall Speakers

- ✓ Ideal for music sound reinforcement.
- ✓ Flexible 100V or 8 Ohm rotary switch selections.
- ✓ 2-way woofer & mylar dome tweeter combination for optimum frequency response and clarity.
- ✓ Stylish contoured profile with integrated adjustable mounting bracket.
- ✓ IP54 rated for outdoor, marine & tropical applications.
- ✓ Grilles & brackets constructed from marine grade aluminium.
- ✓ Long lasting powdercoat finish on bracket.
- ✓ Horizontal or vertical mounting



Application

These high power music speakers feature exceptional sound quality for professional sound reinforcement. The 2 way 133mm (5.25") woofer and mylar dome tweeter combination employed offers excellent frequency response and clarity.

A high standard of music and speech reproduction ensures these speakers are suitable for both music sound reinforcement and paging.

Installation Guidelines

Each speaker is designed with a contoured enclosure providing a stylish finish to your installation - it virtually disappears once mounted. Thumbscrews allow easy adjustment once mounted to the wall.

The bracket suits both horizontal or vertical mounting.

Connection is via the recessed binding post/banana sockets. Power taps and 8 Ohm settings are easily selected via the inbuilt rotary switch.

All models are IP54 rated for outdoor, marine and tropical applications. Grilles and brackets are constructed from marine grade aluminium and painted with long lasting industrial strength powdercoat to withstand harsh environments.

About Redback® Speaker Drivers



Each custom designed speaker and transformer combination has been specifically engineered to ensure a wide frequency range and dispersion angle, plus a high sound pressure level (SPL) ensuring excellent music and speech intelligibility.

Redback® drivers exhibit optimum frequency response and efficiency for BGM and paging applications. The transformers are wound on professional grade grain oriented steel cores for high efficiency and extended frequency response.

Each transformer is fitted with multiple power tapings which are selected via rotary switch on rear of each speaker.

Testing

Redback® drivers are subject to strenuous factory testing reducing the risk of unit failure or performance reduction over time. Each driver has a power rating well above the max tapping of the transformer, ensuring reliable operation and excellent longevity.

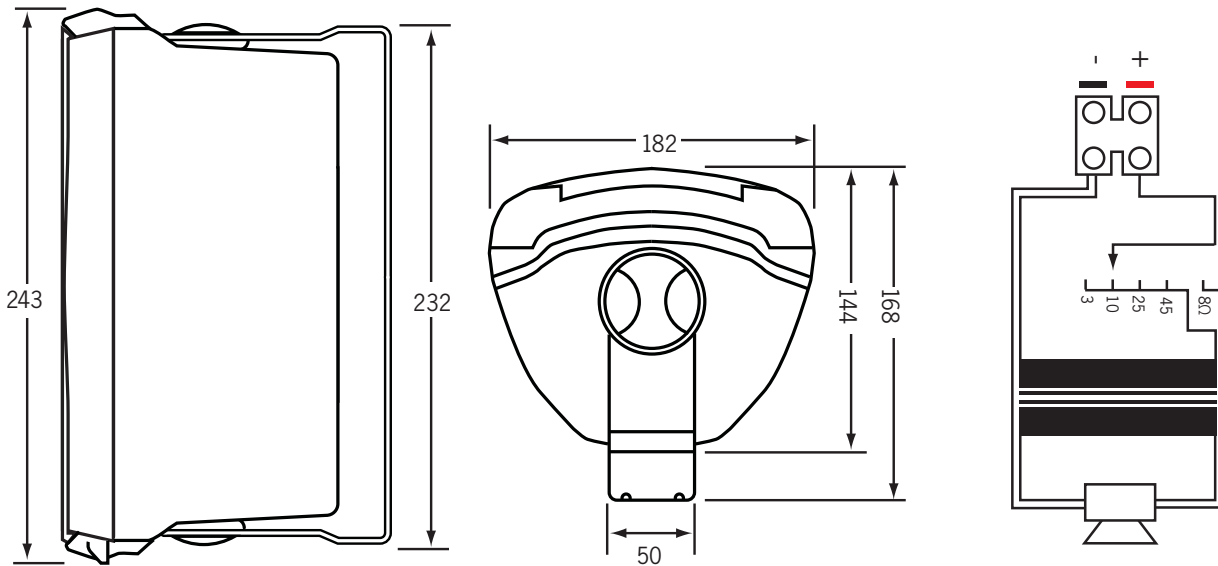
Product Guide

C 0912 2-Way 133mm (5.25") 45W 100V/8 Ohm Wall Speakers White (pair)

C 0913 2-Way 133mm (5.25") 45W 100V/8 Ohm Wall Speakers Black (pair)



Dimensions & Transformer Detail



Specifications

Electrical

100V Power taps:	3, 10, 25, 45W
Low impedance power taps:	8 Ohm (45W)
SPL 1W @ 1m:	88dB @ 1kHz (+/- 2dB)
Frequency response:	61Hz-20kHz
Connection:	Recessed binding post/banana sockets

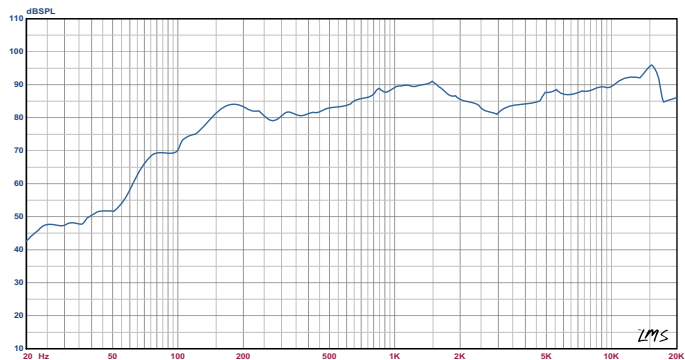
Mechanical

Grille material:	Aluminium mesh
Driver construction:	Polypropylene
Mounting depth (from wall surface):	
Overall weight:	3.5kg

Environmental

Operating temperature:	-25°C to +55°C
Relative humidity:	< 95%

Frequency Response (SPL 1W @ 1m)



Architect Specifications

C 0912

The monitor speaker shall consist of a white enclosure incorporating a 5.25" bass driver and mylar dome tweeter. It shall have a 100V transformer with power taps of 45W, 25W, 10W and 3W. It shall also have a setting of 8 ohms with power handling of 45 Watts. It shall have a frequency response of 61Hz to 20 kHz and SPL of 88dB. Line connection shall be by gold plated banana sockets. Power setting shall be via an inbuilt rotary switch. Mounting bracket and perforated grill will be powder coated aluminium. The monitor speaker system shall be a REDBACK model C 0912.

C 0913

The monitor speaker shall consist of a black enclosure incorporating a 5.25" bass driver and mylar dome tweeter. It shall have a 100V transformer with power taps of 45W, 25W, 10W and 3W. It shall also have a setting of 8 ohms with power handling of 45 Watts. It shall have a frequency response of 61Hz to 20 kHz and SPL of 88dB. Line connection shall be by gold plated banana sockets. Power setting shall be via an inbuilt rotary switch. Mounting bracket and perforated grill will be powder coated aluminium. The monitor speaker system shall be a REDBACK model C 0913.